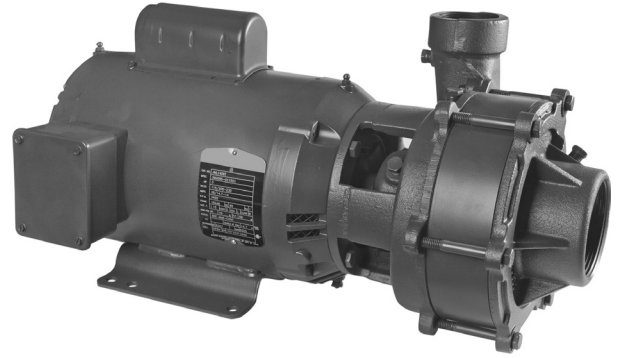


OWNERS GUIDE TO INSTALLATION AND OPERATION END SUCTION CENTRIFUGAL PUMPS



READ THESE INSTRUCTIONS CAREFULLY

Read these installation instructions in detail before installing your pump. Be sure to check the following:

1. Be certain the motor is connected for the correct line voltage being used (check motor nameplate).
2. Be certain the pump is completely primed before starting. Otherwise damage may occur to the seal.

Every pump is tested before leaving the factory, and its performance depends largely on the installation.

GENERAL SAFETY INFORMATION

1. Follow all local electrical and safety codes, as well as the National Electrical Code (NEC) and the Occupational Safety and Health Act (OSHA).
2. Replace damaged or worn wiring cord immediately.
3. Do not kink power cable and never allow the cable to come in contact with oil, grease, hot surfaces, or chemicals.
4. Protect the power cable from coming in contact with sharp objects.
5. Be careful when touching the exterior of an operating motor - it may be hot enough to be painful or cause injury.
6. Make certain that the power source conforms to the requirements of your equipment.
7. Always disconnect power source before performing any work on or near the motor or its connected load. If the power disconnect point is out-of-sight, lock it in the open position and tag it to prevent unexpected application of power. Failure to do so could result in fatal electrical shock.
8. Do not handle the pump with wet hands or when standing in water as fatal electrical shock could occur. Disconnect main power before handling unit for ANY REASON!
9. Unit must be securely and adequately electrically grounded. This can be accomplished by wiring the unit to a ground metal-clad raceway system or by using a separate ground wire connected to the bare metal of the motor frame or other suitable means.
10. **WARNING:** Risk of electric shock. This pump has not been investigated for use in swimming pool areas.
11. **WARNING:** This product contains chemicals known to the State of California to cause cancer and birth defects or other reproductive harm.

INSPECTION AND STORAGE

1. Immediately upon receipt of shipment, inspect and check the shipping document and report to the Transportation Company's local agent any damage or shortage. If the unit is received sometime before it can be used, it should be inspected, re-crated and stored in a dry location.
2. Unless otherwise specifically agreed, all capacity, head and efficiency guarantees are based on factory test when handling clear, cold, fresh water at a temperature not over 85°F.

LOCATION

IMPORTANT: In installations where property damage might result from an inoperative or leaking pump due to power outages, discharge line blockage or any other reason, a back-up system(s) and/or warning system(s) should be used.

1. Locate pump as close to the fluid source as possible.

CAUTION: *The unit should be placed where the motor and electrical components are protected from the weather and extremes of heat, humidity and below freezing temperatures.*

2. Mount unit in a dry location that is easily accessible for inspection and maintenance. Allow ample clearance around the unit for free air circulation. If a dry location is not available mount it on a foundation well above the wet floor.

WARNING: *Do not handle the pump with wet hands or when standing in water as fatal electrical shock could occur. Disconnect main power before handling unit for ANY REASON!*

3. Pumps incorporate a discharge port on the pump casing that can be adjusted in 90° increments. If necessary adjust the discharge port to accommodate the specific application. Pump performance will not be affected by the position of the discharge port.

DIMENSIONS in INCHES

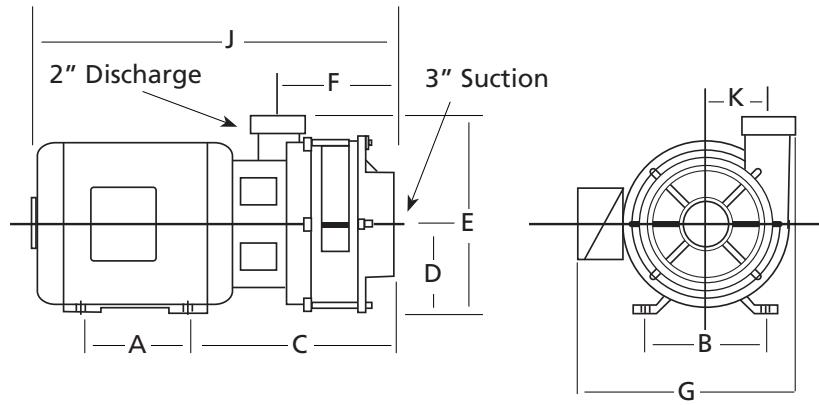


Figure 1

IL1000

C22000 SERIES

Catalog Number		HP	Motor Frame Size	A	B	C	D	E	F	G	J	K
1 Phase	3 Phase											
SINGLE STAGE 3500 RPM												
C22131	—	3	182JM	4.50	7.50	10.24	4.50	10.81	4.06	12.12	19.49	3.44
—	C22133	3	145JM	5.00	5.50	9.49	3.50	9.81	4.06	10.50	17.87	3.44
C22151	—	5	184JM	5.50	7.50	10.24	4.50	10.81	4.06	12.12	20.49	3.44
—	C22153	5	182JM	4.50	7.50	10.24	4.50	10.81	4.06	12.12	20.49	3.44
TWO STAGE 3500 RPM												
C22231	—	3	182JM	4.50	7.50	12.49	4.50	10.81	6.31	12.12	20.49	3.44
—	C22233	3	145JM	5.00	5.50	11.74	3.50	9.81	6.31	10.50	20.12	3.44
C22251	—	5	184JM	5.50	7.50	12.49	4.50	10.81	6.31	12.12	22.74	3.44
—	C22253	5	182JM	4.50	7.50	12.49	4.50	10.81	6.31	12.12	22.74	3.44
—	C22273	7-1/2	184JM	5.50	7.50	12.49	4.50	10.81	6.31	12.12	22.74	3.44

Dimensions shown above are approximate maximum dimensions for standard pumps equipped with open drip proof motors.

SUCTION LIMITATIONS

- Units are non self-priming. Normally after being primed the total suction lift of the pump is 15 feet.
- Where liquids at or near their boiling points are being handled, the supply must be located above the suction, so that the available NPSH will be greater than that required by the unit.

PIPING

- Do not use the pump as support to the piping. The pipe must be independently supported near the pump so that no strains will be transmitted to the unit. Failure to do so will cause premature pump failure and will void the warranty.
- Suction and discharge sizes are selected for proper performance of the pumping unit and are not intended to determine the suction and discharge pipe sizes. Pipe sizes must be determined by the user based on the system requirements.
- Install both a union and a gate valve (not furnished) on the suction and discharge side of the pump for service convenience.

CAUTION: Do not use a globe or other restricting type of valve at the discharge. Globe valves seriously restrict the capacity of the pump.

- All joints and connections should have pipe sealing compound (male threads only) applied and drawn up tightly.

CAUTION: The entire system must be air and water tight for efficient operation.

SUCTION PIPING

- Suction piping should be short in length, as direct as possible, and never smaller in diameter than the pump suction opening.
- Use galvanized piping, rigid plastic or other suitable pipe that will not collapse under suction.
- The suction pipe should slope upward to the pump inlet. A horizontal suction line must have a gradual rise to the pump. Any high point in the pipe will become filled with air and thus prevent proper operation of the pump. When reducing the piping to the suction opening diameter use an eccentric reducer with the eccentric side down to avoid air pockets. Never use a straight taper reducer in a horizontal suction line, as it tends to form an air pocket in the top of the reducer and the pipe.

Valves in Suction Piping

- If the pump is operating under static suction lift conditions, a foot valve may be installed in the suction line to avoid the necessity of priming each time the pump is started.

- When foot valves are used, or where there are other possibilities of "liquid hammer," close the discharge valve before shutting down the pump.
- The pump must never be throttled by the use of a valve on the suction side of the pump. Valves should be used only to isolate the pump for maintenance purposes, and should always be installed in positions to avoid air pockets.

DISCHARGE PIPING

On long horizontal runs it is desirable to maintain as even a grade as possible. Avoid high spots, such as loops, which will collect air and throttle the system or lead to erratic pumping.

Valves In Discharge Piping

A check valve and gate valve should be installed in the discharge. The check valve, placed between the pump and the gate valve, protects the pump from excessive pressure, and prevents liquid from running back through the pump in case of power failure. The gate valve is used in priming and starting, and when shutting the pump down.

Pressure Gauges

Properly sized pressure gauges can be installed in both the suction and discharge openings in the gauge taps which are provided. The gauges will enable the operator to easily observe the operation of the pump, and also determine if the pump is operating in conformance with the performance curve. If cavitation, vapor binding or other unstable operation should occur, widely fluctuating discharge pressure will be noted.

ELECTRICAL CONNECTIONS GROUNDING

- To reduce the risk of electric shock. The motor must be securely and adequately grounded to a grounded metal raceway system or by using a separate grounding wire connected to bare metal on the motor frame, or to the grounding screw located inside motor terminal box, or other suitable means. Refer to National Electric Code (NEC Article 250 [Grounding]) for additional information.
- All wiring should be preformed by a qualified electrician and in accordance with the National Electric Code, Local Electric Codes and the Occupational Safety and Health Act (OSHA).

WARNING: Failure to connect the motor frame to equipment grounding conductor by using green screw may result in serious electrical shock.

WIRING CONNECTIONS

- This unit is not water proof and is not intended to be used in showers, saunas, or other potentially wet locations. The motor is designed to be used in a clean dry location with access to an adequate supply of cooling air. Ambient temperature around the motor should not exceed 104°F (40°C). For outdoor installations motor must be protected by a cover that does not block airflow to and around the

motor. This unit is not weatherproof nor is it able to be submersed in water, or any other liquid.

- Motor voltages will vary depending upon the motor horsepower, phase and manufacturer. Refer to the motor nameplate for voltage and electrical data.

WARNING: Make certain that the power supply conforms to the electrical specifications of the motor supplies. Failure to do so may cause premature motor failure and will void the warranty.

- For proper electrical connections, refer to the connection diagram located on the nameplate or inside the terminal box of the motor. Make sure connections are correct for the voltage being supplied to the motor.
- Whenever possible, the pump should be powered from a separate branch circuit of adequate capacity to keep voltage drop to a minimum during starting and running. For longer runs, increase wire size in accordance with the Wire Selection Guide. (See Figures 3 & 4)

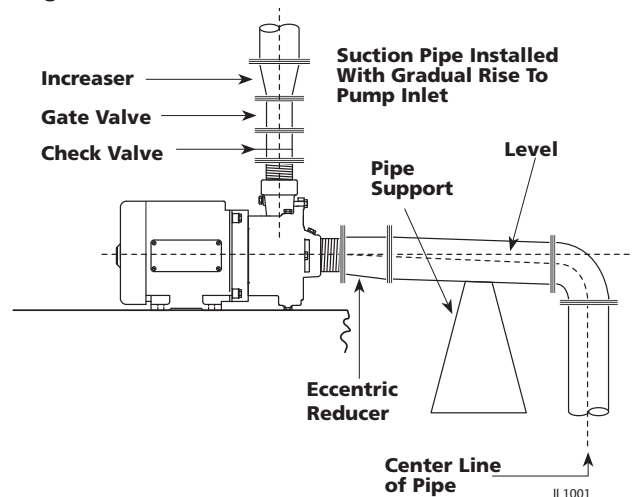


Figure 2

NOTE: Wire charts are for reference only. Consult local and state codes for approved wire sizes.

WARNING: Always disconnect power source before performing any work on or near the motor or its power source. Failure to do so could result in personal injury or fatal electrical shock.

SINGLE PHASE						
Distance From Motor To Fuse Box Meter, or Electrical Outlet		Recommended Copper Wire Size				
		1HP	1-1/2 HP	2 HP	3 HP	5 HP
100 ft.	115V	10	8	8	*	-
	230V	14	12	10	8	6
150 ft.	115V	6	6	4	*	-
	230V	12	12	10	8	4
200 ft.	115V	6	6	4	*	-
	230V	12	10	8	6	4
300 ft.	115V	*	*	*	*	-
	230V	12	6	6	4	2
500 ft.	115V	*	*	*	*	-
	230V	10	4	4	2	0

(*) Not economical to run at 115V, use 230V.

Figure 3

THREE PHASE							
Distance From Motor To Fuse Box Meter, or Electrical Outlet		Recommended Copper Wire Size					
		1HP	1-1/2 HP	2 HP	3 HP	5 HP	7-1/2 HP
100 ft.	230V	14	12	12	12	10	8
	460V	14	12	12	12	12	12
150 ft.	230V	14	12	12	10	8	6
	460V	14	12	12	12	12	12
200 ft.	230V	14	12	12	10	8	6
	460V	14	12	12	12	12	12
300 ft.	230V	12	12	10	8	6	4
	460V	14	12	12	12	10	10
500 ft.	230V	10	10	8	6	4	2
	460V	14	12	12	10	8	8

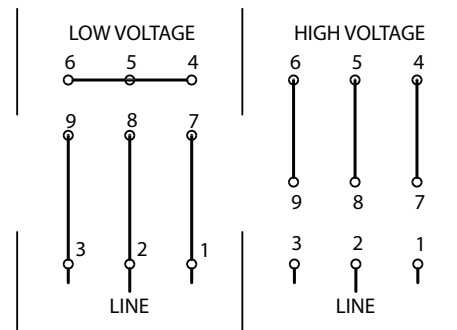
Figure 4

MOTOR PROTECTION

WARNING: Never examine, make wiring changes or touch the motor before disconnecting the main electrical supply switch.

1. Motors may or may not have built-in thermal overload protection depending upon the horsepower size, phase, type and motor manufacturer. Refer to the motor nameplate for overload protection information. It is recommended that a properly sized magnetic or manual starter (both with properly sized heaters) be used with all motors. Install starters following instructions of the starter manufacturer. See Figure 8 & 9 for magnetic starter wiring diagram. See Figures 5, 6 & 7 for motor diagrams.
2. All motors (single and three phase) should be equipped with a correctly fused disconnect switch to provide protection. Consult Local or National Electrical Codes for proper fuse protection based on motor nameplate.
3. Under size wiring can cause motor failure (low voltage), frequent cut-out of motor overload protector, television interference and even fire. Make certain the wiring is adequately sized (Figure 3 & 4), well insulated and connected to a separate circuit outside the building in case of fire.

3 Phase

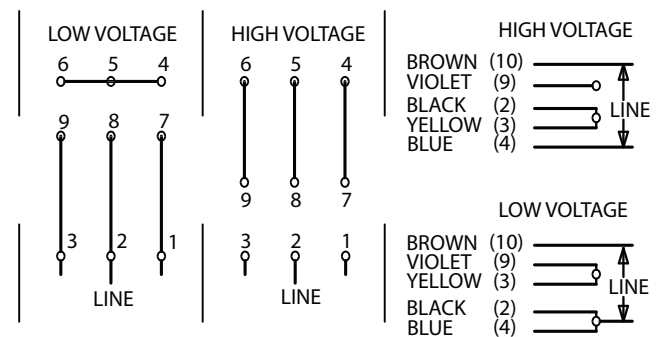


IL1229

Figure 5 - Wiring Diagram for Baldor TEFC 3 Phase motors

3 Phase

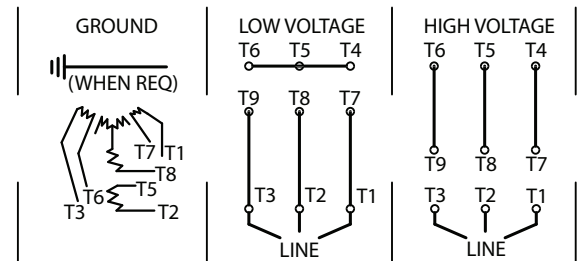
1 Phase



IL 1230

Figure 6 - Wiring Diagram for Franklin Electric TEFC 1 Phase and 3 Phase motors

3 Phase



IL1231

Figure 7 - Wiring Diagram for Marathon TEFC 3 Phase motors

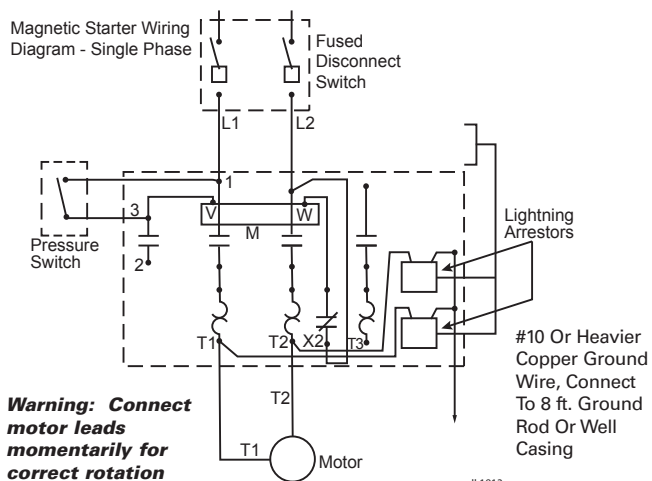


Figure 8

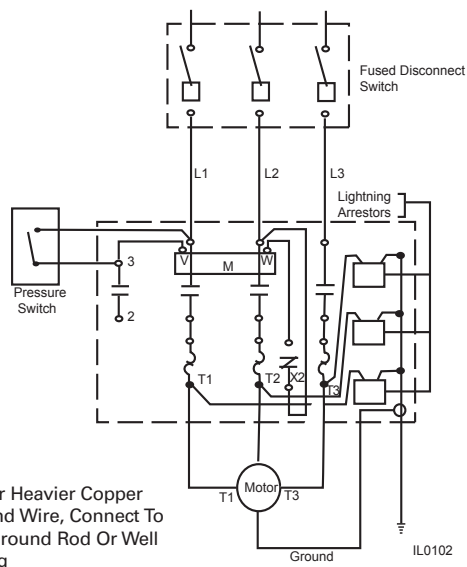


Figure 9

OPERATION

PRIOR TO STARTING

Before the pump is started initially, make the following inspections:

- Check Rotation - Be sure that the pump operates in the direction indicated by the arrow on the pump casing, as serious damage can result if the pump is operated with incorrect rotation. Rotation is always counterclockwise facing the pump suction. Operating the pump in reverse rotation may cause extensive damage.
- Check all connections to motor and starting device with wiring diagram. Check voltage, phase and frequency on motor nameplate with line circuit.

ALL PUMPS WITH 3 PHASE MOTORS MUST BE INSTALLED WITH A MAGNETIC STARTER WHICH PROVIDES 3-LEG PROTECTION FOR MOTOR. FAILURE TO USE CORRECT STARTER WILL VOID THE WARRANTY.

PRIMING

1. Before starting any centrifugal pump it is absolutely necessary that both the casing and suction pipe be

completely filled with liquid. This priming can be accomplished by any of the following methods.

2. When the liquid supply level is above the center line of the pump, it is primed by opening the suction and discharge valves. The in flowing liquid will displace the air and fill the suction line, pump casing, and discharge line up to the level of supply.
3. Where the pump is operating with suction lift and the suction line is equipped with a foot valve, the system is filled with liquid by filling through the discharge piping.

STARTING

1. Follow the steps below in the order indicated to start pump:
 - Close gate valve in discharge line.
 - Open gate valve in suction line.
 - Turn on power to pump motor.
2. When pump is operating at full speed, immediately open the discharge gate valve slowly.
3. If the pump does not prime properly, or loses it prime during start-up it should be shut-down and the condition corrected before the procedure is repeated.

NOTE: The gate valve in the discharge line should always be closed when the pumps is started. The excessive current required by the motor to start under full load will in time cause motor trouble. A centrifugal pump primed and operated at full speed with the discharge gate valve closed usually requires much less power than when it is operating at its rated capacity and head with the discharge gate valve open.

OPERATING CHECKS

After initial start-up:

- Check the pump and piping to assure there are no leaks.
- Check and record pressure gauge readings for future reference.
- Check and record voltage, amperage per phase.

STOPPING PUMP

1. When stopping pump always close the discharge valve first.
2. Pump should never run for any length of time with both suction and discharge valves closed due to danger of building up pressures and temperatures.

MAINTENANCE

LUBRICATION

The pump and motor requires no lubrication. The ball bearings of the motor have been greased at the factory. Under normal operating conditions they should require no further greasing.

FREEZING

Drain the entire system if there is danger of freezing. A drain plug is provided at the bottom of the pump case for this purpose.

ROTARY SHAFT SEAL

The mechanical shaft seal should be replaced if water is noticed around the motor shaft. Remove case and impeller and, using two screw drivers to pry on each side, remove seal stationary seat. Clean seat area of frame, install new stationary seat with ceramic surface facing out and slide new rotating element over shaft sleeve with hard carbon surface against ceramic seat. Be sure to keep all surfaces clean. Lubricating seal parts with water will help the installation of the seal. Reinstall impeller and pump case.

CAUTION: Make certain that the power supply is disconnected before attempting to service the unit! Failure to do so could result in personal injury or fatal electrical shock.

MOTOR

Keep motor clean and dry. It is drip-proof when installed horizontally and the windings are protected from excess humidity, but extreme conditions should be avoided when possible. If motor fails to run, be sure power is on, all switches or electrical controls are closed, fuses are in order and all electrical connection are tight. (Motor must be repaired by Authorized Repair Station under terms of guarantee.)

FAILURE TO PUMP

If the motor runs, but no water is pumped, be sure pump is primed, that there are no air leaks in suction piping, that all gate valves are open and all check valves operate.

NET POSITIVE SUCTION HEAD (NPSH)

NPSH combines all of the factors limiting the suction side of a pump; internal pump losses, static suction lift, friction losses, vapor pressure and atmospheric conditions. It is important to differentiate between REQUIRED NPSH and AVAILABLE NPSH.

NPSH REQUIRED

REQUIRED NPSH is a factor designed into a pump and measurable in the test laboratory by the manufacturer. Testing facilities can determine losses in the suction piping, static lift and barometric pressures.

NPSH AVAILABLE

1. The term for providing sufficient pressure on the suction, at the impeller eye, to prevent "boiling" is known as NPSH AVAILABLE. It is a function of the pumping system and consists of pressure on the liquid at its source, the elevation of the liquid with respect to the impeller center line, losses in the suction piping and vapor pressure of the liquid.

PROPERTIES OF WATER			
Temperature °F	Absolute Vapor Pressure		Specific Gravity
	PSI	Ft. Water	
60	0.26	0.59	0.999
85	0.60	1.4	0.996
100	0.95	2.2	0.993
120	1.69	3.9	0.989
130	2.22	5.0	0.986
140	2.89	6.8	0.983
150	3.72	8.8	0.981
160	4.74	11.2	0.977
170	5.99	14.2	0.974
180	7.51	17.8	0.970
185	8.38	20.0	0.969
190	9.34	22.3	0.966
195	10.38	24.9	0.964
200	11.53	27.6	0.963
202	12.01	28.8	0.962
204	12.51	30.0	0.961
206	13.03	31.2	0.960
208	13.57	32.6	0.960
210	14.12	33.9	0.959
212	14.70	35.4	0.958
214	15.29	37.0	0.957
216	15.90	38.4	0.956
218	16.54	40.0	0.956
220	17.19	41.6	0.955
222	17.86	43.3	0.954
224	18.56	45.0	0.953
226	19.28	46.8	0.953
228	20.02	48.6	0.952
230	20.78	50.5	0.951
240	24.97	61.0	0.947
250	29.83	73.2	0.943
300	67.00	168.6	0.918
350	134.60	349.0	0.891

Altitude (Feet)	Barometer Inches Mercury	Atmospheric Pressure		Boiling Point °F
		PSIA	(ft. water)	
-1000	31.0	15.2	32.5	213.8
-500	30.5	15.0	34.6	212.9
0.0	29.9	14.7	33.9	212.0
+500	29.4	14.4	33.3	211.1
+1000	28.9	14.2	32.8	210.2
+1500	28.3	13.9	32.1	209.3
+2000	27.8	13.7	31.5	208.4
+2500	27.3	13.4	31.0	207.4
+3000	26.8	13.2	30.4	206.5
+3500	26.3	12.9	29.8	205.6
+4000	25.8	12.7	29.2	204.7
+4500	25.4	12.4	28.8	203.8
+5000	24.9	12.2	28.2	202.9
+5500	24.4	12.0	27.6	201.9
+6000	24.0	11.8	27.2	201.0
+6500	23.5	11.5	26.7	200.1
+7000	23.1	11.3	26.2	199.2
+7500	22.7	11.1	25.7	198.3
+8000	22.2	10.9	25.2	197.4
+8500	21.8	10.7	24.7	196.5
+9000	21.4	10.5	24.3	195.5
+9500	21.0	10.3	23.8	194.6
+10000	20.6	10.1	23.4	193.7
+15000	16.9	8.3	19.2	184.0

2. If the available NPSH is not equal to, or greater than that required by the pump, it must be increased. This is usually done by increasing the static head, Hz.

NPSH FORMULAS

PROPOSED INSTALLATION

1. To calculate the NPSH available in a proposed application, the following formula is recommended:

$$H_{sv} = H_p \pm H_z - H_f - H_{vp}$$

2. Hsv-Available NPSH expressed in feet of fluid

3. Hp-Absolute pressure on the surface of the liquid where the pump tanks suction, expressed in feet. This

could be atmospheric pressure or vessel pressure (pressurized tank).

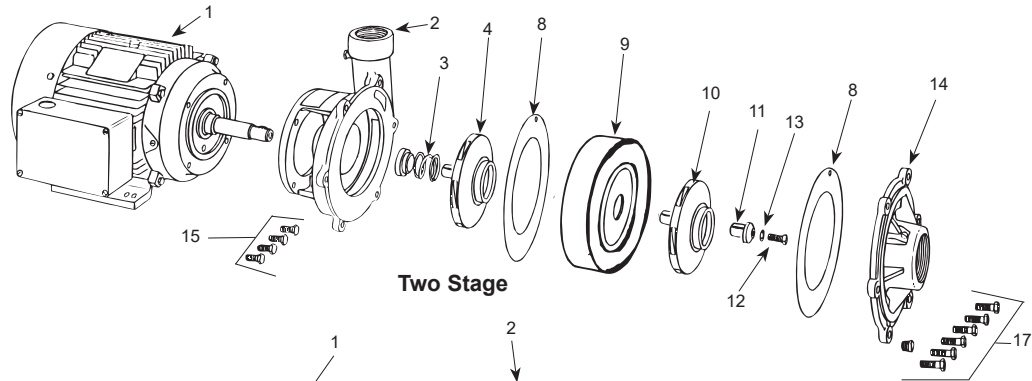
4. Hz-Static elevation of the liquid above, or below the center line of the impeller, expressed in feet.

5. Hf-Friction and entrance head loss in the suction piping, expressed in feet.

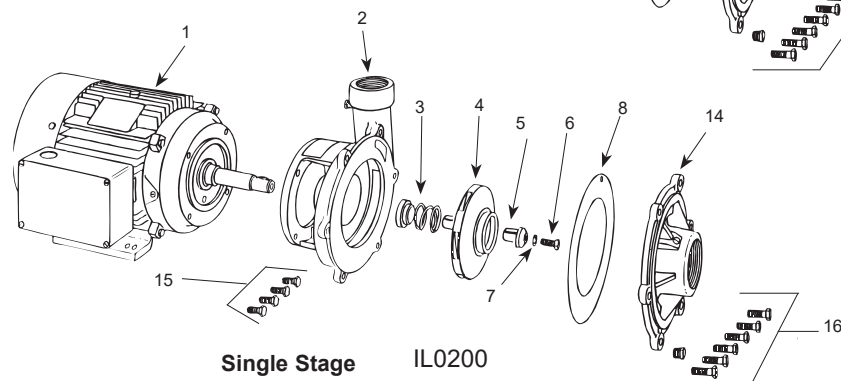
6. Hvp-Absolute vapor pressure of the fluid at the pumping temperature, expressed in feet of fluid.

Troubleshooting Chart		
Symptom	Possible Cause(s)	Corrective Action
Low or no discharge	<ol style="list-style-type: none"> 1. Incorrect rotation 2. Insufficient inlet pressure or suction head (NPSH Required) 3. Total head too high 4. Leak in suction line 5. Impeller clogged or damaged 6. Wrong size piping 7. Casing gasket leaking 8. Suction or discharge line valves closed 9. Mechanical seal leaking 	<ol style="list-style-type: none"> 1. Refer to wiring diagram 2. Increase inlet pressure by adding more fluid to fluid source. (See Spec's for minimum NPSH Required) 3. Lower discharge head 4. Repair or replace 5. Clean or replace 6. Make needed adjustments 7. Replace gasket 8. Open 9. Replace
Loss of suction	<ol style="list-style-type: none"> 1. Insufficient inlet pressure or suction head (NPSH Required) 2. Clogged strainer 	<ol style="list-style-type: none"> 1. Increase inlet pressure by adding more fluid to fluid source. (See Spec's for minimum NPSH Required) 2. Clean or replace
Pump vibrates and/or makes excessive noise	<ol style="list-style-type: none"> 1. Mounting plate or foundation not rigid enough 2. Foreign material in pump 3. Damaged impeller 4. Cavitation present 	<ol style="list-style-type: none"> 1. Reinforce 2. Clean 3. Replace 4. Check suction line for proper size and be sure valve is open. Remove excessive loops in suction line. (See Spec's for minimum NPSH Required)
Pump leaks at shaft	<ol style="list-style-type: none"> 1. Damaged or worn mechanical seal 2. Corrosion due to character of liquid pumped 	<ol style="list-style-type: none"> 1. Replace 2. Discontinue pumping liquid and consult factory
Pump will not start or run	<ol style="list-style-type: none"> 1. Improperly wired 2. Blown fuse or open circuit breaker 3. Loose or broken wiring 4. Impeller clogged 5. Motor shorted out 	<ol style="list-style-type: none"> 1. Refer to wiring diagram 2. Replace fuse or close circuit breaker 3. Tighten connections and replace broken wiring 4. Clean 5. Replace
Motor problems	<ol style="list-style-type: none"> 1. Various 2. Overloading motor. Too much water delivery 3. Liquid heavier and more viscous than water 4. Seal binding 5. Rotor binding 6. Voltage and frequency lower than rating 7. Defects in motor 	<ol style="list-style-type: none"> 1. Consult qualified electrician 2. Restrict outlet by closing down valve in discharge line 3. Consult factory 4. Replace 5. Repair or replace 6. Reconnect to rated voltage and frequency 7. Repair or replace
Pinholes in the casting. Liquid drips around seal area but is not seal	<ol style="list-style-type: none"> 1. Cavitation caused by insufficient inlet pressure or suction head (NPSH Required) 	<ol style="list-style-type: none"> 1. Increase inlet pressure by adding a higher level of fluid to source or increasing inlet pressure. (See Spec's for minimum NPSH Required)

CENTRIFUGAL PUMP REPAIR PARTS "C22000" SERIES (For Pricing Refer To Repair Parts Price List)



Two Stage



Single Stage

IL0200

Product may not be exactly as shown.

021434 Repair Kit Kit Includes:		
Qty.	Item No.	Part No. & Description
1	3	136559 Seal Assembly
1	•	136576 O-Ring, Cap Screw
1	•	136572 O-Ring, Impeller
1	•	136569 O-Ring, Impeller
2	8	124638 Gasket

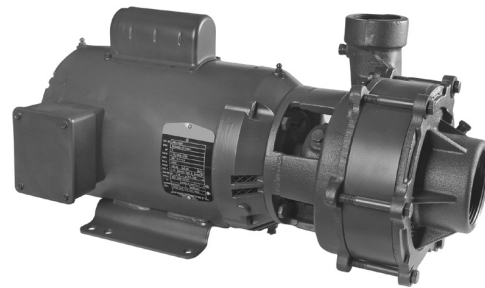
ITEM	DESCRIPTION	HORSEPOWER				
		STAGE				
		3	5	3	5	7-1/2
		SINGLE PHASE	C22151	C22231	C22251	—
THREE PHASE	C22153	C22233	C22253	C22273		
		PART NUMBER				
1	Motor — 1 Phase	134962	134963	134962	134963	—
1	Motor — 3 Phase	134965	134966	134965	134966	134967
2	Mounting Ring	136556	136556	136556	136556	136556
3	Seal Assembly	136559	136559	136559	136559	136559
•	Key 3/16 x 27/32"	136560	136560	—	—	—
•	Key 3/16 x 2-1/32"	—	—	134977	134977	134977
4	Impeller	136561	136562	136563	136565	136567
•	O-Ring, Impeller	136569	136569	136569	136569	136569
5	Retainer, Impeller	N/A	N/A	—	—	—
6	Cap Screw 1" Long	136573	136573	—	—	—
•	O-Ring, Cap Screw	136576	136576	—	—	—
7	Lock Washer 3/8" S.S.	120649	120649	—	—	—
8	Gasket	124638 (1)	124638 (1)	124638 (2)	124638 (2)	124638 (2)
9	Intermediate Stage w/Clearance Ring	—	—	136578	136578	136578
•	Clearance Ring - Large	—	—	125176	125176	125176
•	Clearance Ring - Small	—	—	136577	136577	136577
10	Impeller (Front)	—	—	136564	136566	136568
11	Retainer, Impeller	—	—	136571	136571	136571
•	O-Ring, Impeller	—	—	136572	136572	136572
12	Cap Screws 2-1/4" Long	—	—	136575	136575	136575
•	O-Ring, Cap Screw	—	—	136576	136576	136576
13	Lock Washer 3/8" S.S.	—	—	120649	120649	120649
14	Suction Flange Assembly w/Clearance Ring	023089	023089	023089	023089	023089
•	Clearance Ring	125176	125176	125176	125176	125176
•	Pipe Plug 1/4" NPT	* (4)	* (4)	* (5)	* (5)	* (5)
15	Hex Hd. Cap Screws 3/8 x 1"	* (4)	* (4)	* (4)	* (4)	* (4)
16	Hex Hd. Cap Screws 3/8 x 1-1/4"	* (6)	* (6)	—	—	—
17	Hex Hd. Cap Screws 3/8 x 3-1/4"	—	—	* (6)	* (6)	* (6)

(*) Standard hardware item

(•) Not shown

N/A Not available

GUÍA DEL PROPIETARIO DE INSTALACIÓN Y FUNCIONAMIENTO BOMBAS CENTRÍFUGAS DE SUCCIÓN FINAL



LEA ATENTAMENTE ESTAS INSTRUCCIONES

Lea detenidamente estas instrucciones de instalación antes de instalar la bomba. Asegúrese de revisar lo siguiente:

1. Asegúrese de que el motor esté conectado al voltaje de línea correcto siendo usado (verifique la placa de datos del motor).
2. Asegúrese de que la bomba esté completamente cebada antes de arrancar. De lo contrario se podría dañar el sello.

Todas las bombas se prueban antes de abandonar la fábrica y su rendimiento depende en gran medida de la instalación.

INFORMACIÓN GENERAL DE SEGURIDAD

1. Cumpla con todos los códigos de electricidad y seguridad, incluyendo el Código Eléctrico Nacional (NEC) y la Ley de Seguridad y Salud Ocupacionales (OSHA).
2. Cambie inmediatamente los cables dañados o desgastados.
3. No doble el cable de alimentación y nunca permita que el cable entre en contacto con aceite, grasa, superficies calientes o productos químicos.
4. Evite que el cable de alimentación entre en contacto con objetos afilados.
5. Tenga cuidado al tocar el exterior de un motor en funcionamiento, podría estar lo suficientemente caliente para causar dolor o una lesión.
6. Asegúrese de que la fuente de alimentación cumpla con los requisitos de su equipo.
7. Desconecte siempre la fuente de alimentación antes de realizar cualquier trabajo en o cerca del motor o su carga conectada. Si el punto de desconexión de la alimentación está fuera de la vista, bloquéelo en posición abierta y etiquételo para evitar una aplicación inesperada de energía. No hacerlo podría redundar en una descarga eléctrica mortal.
8. No manipule la bomba con las manos mojadas o cuando esté parado en agua, ya que podría ocurrir una descarga eléctrica mortal. ¡Desconecte la alimentación principal antes de manipular la unidad por CUALQUIER RAZÓN!
9. La unidad debe estar conectada a tierra de forma segura y adecuada. Esto se puede hacer cableando la unidad a un sistema de conductos individuales con recubrimiento metálico y conexión a tierra o utilizando un cable de conexión a tierra por separado conectado a la parte metálica al descubierto del armazón del motor o de otra manera adecuada.
10. **ADVERTENCIA:** riesgo de descarga eléctrica. El uso de esta bomba en piscinas no ha sido investigado.
11. **ADVERTENCIA:** este producto contiene productos químicos de los que el estado de California tiene conocimiento de que provocan cáncer, malformaciones congénitas u otros daños al sistema reproductor.

INSPECCIÓN Y ALMACENAMIENTO

1. Inmediatamente después de recibir el envío, inspeccione y revise el documento de embarque e informe cualquier daño o falta al agente local de la compañía de transporte. Si la unidad es recibida cierto tiempo antes de que pueda ser utilizada, esta debe ser inspeccionada, re-embalada y almacenada en un lugar seco.
2. A menos que se convenga específicamente lo contrario, todas las garantías de capacidad, carga y rendimiento están basadas en pruebas de fábrica al manejar agua limpia, fría y dulce a una temperatura no superior a 85 °F.

UBICACIÓN

IMPORTANTE: en las instalaciones que podrían resultar en daños materiales causados por bombas que no funcionen o que tengan fugas debido a cortes de energía, bloqueo de la línea de descarga o cualquier otra razón, se deben utilizar uno o varios sistemas de respaldo y/o uno o varios sistemas de advertencia.

1. Coloque la bomba tan cerca de la fuente de líquido como sea posible.

PRECAUCIÓN: La unidad debería ser colocada donde el motor y los componentes eléctricos estén protegidos del clima y calor extremo, humedad y temperaturas bajo cero.

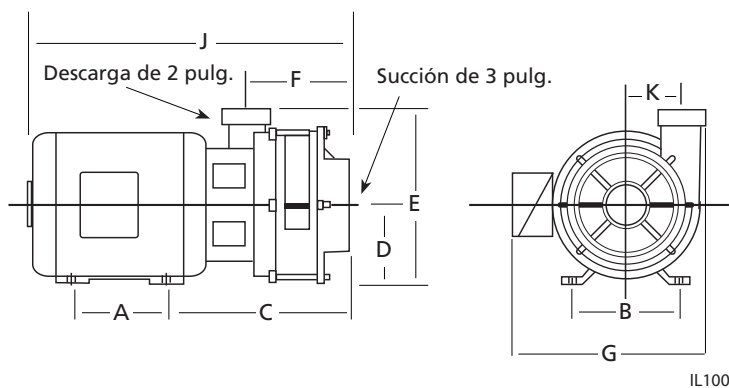
2. Instale la unidad en un lugar seco que sea de fácil acceso para su inspección y mantenimiento. Deje suficiente espacio alrededor de la unidad para la libre circulación del aire. Si no hay un lugar seco disponible, móntela sobre una base bastante por encima del suelo mojado.

ADVERTENCIA: no manipule la bomba con las manos mojadas o cuando esté parado en agua, ya que podría ocurrir una descarga eléctrica mortal. ¡Desconecte la alimentación principal antes de manipular la unidad por CUALQUIER RAZÓN!

3. Las bombas incorporan un puerto de descarga a la carcasa de la bomba que se puede ajustar en incrementos de 90°. Si es necesario, ajuste el puerto de descarga para acomodar la aplicación específica. El rendimiento de la bomba no se verá afectado por la posición del puerto de descarga.

134984S C

DIMENSIONES en CENTÍMETROS Y PULGADAS



IL1000

Figura 1

Serie C22000

Número de catálogo		kW	HP	Tamaño del armazón del motor	A	B	C	D	E	F	G	J	K
1-F	3-F												
ETAPA ÚNICA 3500 RPM													
C22131	—		3	182JM	4.50	7.50	10.24	4.50	10.81	4.06	12.12	19.49	3.44
—	C22133		3	145JM	5.00	5.50	9.49	3.50	9.81	4.06	10.50	17.87	3.44
C22151	—		5	184JM	5.50	7.50	10.24	4.50	10.81	4.06	12.12	20.49	3.44
—	C22153		5	182JM	4.50	7.50	10.24	4.50	10.81	4.06	12.12	20.49	3.44
DOS ETAPAS 3500 RPM													
C22231	—		3	182JM	4.50	7.50	12.49	4.50	10.81	6.31	12.12	20.49	3.44
—	C22233		3	145JM	5.00	5.50	11.74	3.50	9.81	6.31	10.50	20.12	3.44
C22251	—		5	184JM	5.50	7.50	12.49	4.50	10.81	6.31	12.12	22.74	3.44
—	C22253		5	182JM	4.50	7.50	12.49	4.50	10.81	6.31	12.12	22.74	3.44
—	C22273		7-1/2	184JM	5.50	7.50	12.49	4.50	10.81	6.31	12.12	22.74	3.44

Las dimensiones indicadas anteriormente son las dimensiones máximas aproximadas para bombas estándar equipadas con motores a prueba de goteo.

LIMITACIONES DE SUCCIÓN

- Las unidades no son autocebantes. Normalmente después de haber sido cebada, la extracción de agua total de la bomba es de 4.6 m (15 pies).
- Cuando se manejan líquidos en o cerca de sus puntos de ebullición, la alimentación debe estar situada por encima de la succión, de modo que la carga neta positiva de succión disponible sea mayor que la requerida por la unidad.

TUBERÍAS

- No utilice la bomba como apoyo para las tuberías. Las tuberías deben estar apoyadas de forma independiente cerca de la bomba de manera que no se transmitan tensiones a la unidad. No hacerlo causará averías prematuras en la bomba e invalidará la garantía.
- El tamaño de succión y descarga es seleccionado para el correcto rendimiento de la unidad de bombeo y no está destinado a determinar el tamaño de la tubería de succión y descarga. El tamaño de las tuberías debe ser determinado por el usuario en función de los requisitos del sistema.
- Instale una unión y una válvula de paso (no suministradas) en el lado de succión y descarga de la bomba para mayor conveniencia de servicio.

PRECAUCIÓN: no use una válvula de globo u otro tipo de válvula restrictora en la descarga. Las válvulas de globo limitarán seriamente la capacidad de la bomba.

- Todas las juntas y conexiones deberían tener compuesto sellador para tuberías (las roscas macho solamente) aplicado y apretado firmemente.

PRECAUCIÓN: es necesario hacer todo el sistema a prueba de aire y agua para lograr un funcionamiento eficiente.

TUBERÍA DE SUCCIÓN

- La tubería de succión debería ser corta en longitud, lo más directa posible, y nunca de menor diámetro que la abertura de succión de la bomba.
- Use tuberías galvanizadas, de plástico rígido u otros tubos adecuados que no se colapsen bajo succión.
- La tubería de succión debería inclinarse hacia arriba hacia la entrada de la bomba. Una tubería de succión horizontal debe tener una elevación gradual hacia la bomba. Cualquier punto elevado en la tubería se llenará de aire y, por tanto, impedirá el funcionamiento correcto de la bomba. Al reducir la tubería para el diámetro de la abertura de succión, use un reductor excéntrico con el lado excéntrico hacia abajo para evitar bolsas de aire. Nunca use un tapón reductor cónico recto en una tubería de succión horizontal, ya que tiende a formar una bolsa de aire en la parte superior del reductor y la tubería.

Válvulas en la tubería de succión

- Si la bomba está funcionando en condiciones de extracción estática de agua, se puede instalar una válvula de zapata en la tubería de succión para evitar la necesidad de cebar cada vez que se arranque la bomba.

- Al utilizar válvulas de zapata o cuando existan otras causas de "golpe de ariete", cierre la válvula de descarga antes de apagar la bomba.
- La bomba nunca debe estrangularse con el uso de una válvula en el lado de succión de la bomba. Las válvulas solamente deberían ser utilizadas para aislar la bomba para propósitos de mantenimiento y siempre deberían ser instaladas en posiciones que eviten las bolsas de aire.

TUBERÍA DE DESCARGA

Es conveniente mantener una pendiente tan pareja como sea posible en las tuberías horizontales largas. Evite los puntos altos, como bucles, los cuales acumularán aire y estrangularán el sistema o provocarán un bombeo errático.

Válvulas en la tubería de descarga

Se deberían instalar una válvula de retención y una válvula de paso en la descarga. La válvula de retención, colocada entre la bomba y la válvula de paso, protege la bomba de presión excesiva y evita que el líquido vuelva por la bomba en caso de un corte eléctrico. La válvula de paso se utiliza durante el cebado y la puesta en marcha, y al apagar la bomba.

Manómetros

Se pueden instalar manómetros del tamaño adecuado en las aberturas de succión y descarga en los orificios que se proporcionan. Los manómetros permitirán que el operador observe fácilmente el funcionamiento de la bomba y también determinarán si la bomba está funcionando en conformidad con la curva de rendimiento. Si ocurre cavitación, bloqueo de vapor u otro funcionamiento inestable, se observará una presión de descarga con grandes fluctuaciones.

CONEXIONES ELÉCTRICAS

PUESTA A TIERRA

- Para reducir el riesgo de descarga eléctrica. El motor debe estar conectado a tierra de forma segura y adecuada a un sistema de conductos individuales con recubrimiento metálico y conexión a tierra o utilizando un cable de conexión a tierra por separado conectado a la parte metálica al descubierto del armazón del motor, al tornillo de puesta a tierra dentro de la caja de bornes del motor o de otra manera adecuada. Consulte el Código Eléctrico Nacional (NEC, artículo 250 [Puesta a tierra]) para obtener información adicional.
- Todo el cableado debe ser efectuado por un electricista calificado y de acuerdo con el Código Eléctrico Nacional, los códigos eléctricos locales y la Ley de Seguridad y Salud Ocupacionales (OSHA).

ADVERTENCIA: no conectar el armazón del motor a un conductor a tierra usando el tornillo verde puede resultar en una seria descarga eléctrica.

CONEXIONES DE CABLEADO

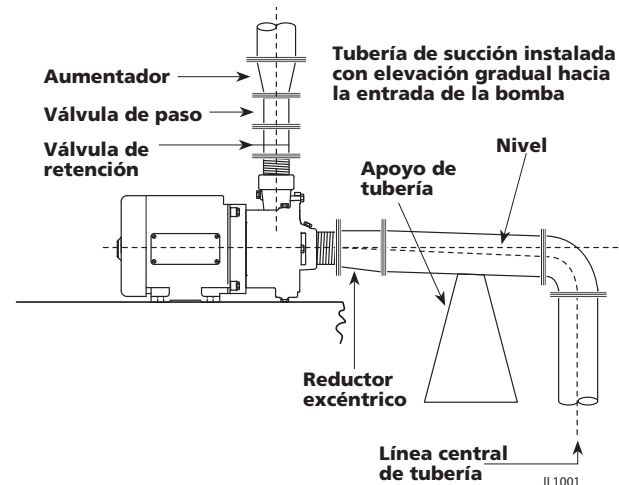
- Esta unidad no es impermeable y no fue diseñada para uso en duchas, saunas u otros lugares potencialmente húmedos. El motor fue diseñado para uso en un lugar limpio y seco con un buen acceso a un suministro de aire de enfriamiento. La temperatura ambiente alrededor del motor no debería exceder los 40 °C (104 °F) Para instalaciones al aire libre, es necesario proteger el motor con una cubierta que no bloquee el flujo de aire al y alrededor del motor. Esta unidad no es a prueba de intemperie y no puede estar sumergida en agua o en otro líquido.

- Los voltajes de los motores varían de acuerdo a la potencia del motor, fase y fabricante. Consulte la placa de datos del motor y los datos eléctricos.

ADVERTENCIA: asegúrese de que el suministro de energía cumpla con las especificaciones eléctricas del motor. No hacerlo podría causar averías prematuras en el motor e invalidará la garantía.

- Para hacer una conexión eléctrica correcta, vea el diagrama de conexiones situado en la placa de datos del motor o dentro de caja de bornes del motor. Asegúrese de que las conexiones sean las correctas para el voltaje suministrado al motor.
- Siempre que sea posible, la bomba debería ser alimentada por un circuito derivado separado de la capacidad adecuada para mantener la caída de voltaje al mínimo durante el arranque y funcionamiento. Para operaciones más largas, aumente el tamaño de cable de acuerdo con la Guía de selección de cables. (Vea las Figuras 3 y 4)

Figura 2



NOTA: las tablas de cables son solo para referencia. Consulte los códigos locales y estatales para ver los tamaños de cable aprobados.

ADVERTENCIA: desconecte siempre la fuente de alimentación antes de realizar cualquier trabajo en o cerca del motor o su fuente de alimentación. No hacerlo podría redundar en daños personales o descarga eléctrica mortal.

MONOFÁSICO						
Distancia desde el motor al medidor de la caja de fusibles o a la toma de corriente eléctrica		Tamaño recomendado del cable de cobre				
		0.75 kW	1.12 kW	1.49 kW	2.24 kW	3.73 kW
30.5 m (100 pies)	115V 230V	10 14	8 12	8 10	* 8	- 6
45.7 m (150 pies)	115V 230V	6 12	6 12	4 10	* 8	4
61.0 m (200 pies)	115V 230V	6 12	6 10	4 8	* 6	- 4
91.4 m (300 pies)	115V 230V	* 12	* 6	* 6	* 4	- 2
152.4 m (500 pies)	115V 230V	* 10	* 4	* 4	* 2	- 0

(*) No económico para operar a 115 V, utilizar 230 V.

Figura 3

TRIFÁSICO							
Distancia desde el motor al medidor de la caja de fusibles o a la toma de corriente eléctrica		Recommended Copper Wire Size					
		0.75 kW	1.12 kW	1.49 kW	2.24 kW	3.73 kW	5.59 kW
30.5 m (100 pies)	230V 460V	14 14	12 12	12 12	12 12	10 12	8 12
45.7 m (150 pies)	230V 460V	14 14	12 12	12 12	10 12	8 12	6 12
61.0 m (200 pies)	230V 460V	14 14	12 12	12 12	10 12	8 12	6 12
91.4 m (300 pies)	230V 460V	12 14	12 12	10 12	8 12	6 10	4 10
152.4 m (500 pies)	230V 460V	10 14	10 12	8 12	6 10	4 8	2 8

Figura 4

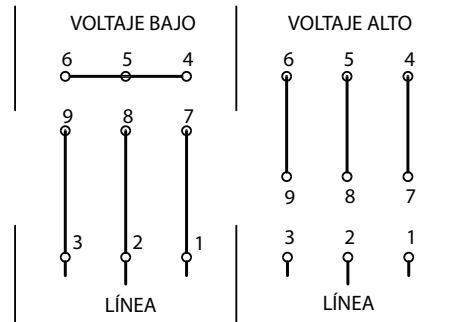
PROTECCIÓN DEL MOTOR

ADVERTENCIA: nunca examine ni haga cambios al cableado, ni toque el motor antes de desconectar el interruptor principal de alimentación eléctrica.

- Los motores pueden o no tener incorporada protección contra sobrecargas térmicas en función de la potencia, fase, tipo y fabricante del motor. Consulte la placa de datos del motor para ver la información de protección contra sobrecargas. Se recomienda el uso de un arrancador magnético o manual del tamaño adecuado (ambos con calentadores de tamaño adecuado) con todos los motores. Instale los arrancadores siguiendo las instrucciones de su fabricante. Vea el diagrama de cableado del arrancador magnético en las Figuras 8 y 9. Vea los diagramas del motor en las Figuras 5, 6 y 7.
- Todos los motores (monofásicos y trifásicos) deberían estar equipados con un interruptor de desconexión con fusibles correctos para proporcionar protección. Consulte los códigos eléctricos locales o nacionales acerca de la protección adecuada con fusibles en función de la placa de datos del motor.

- Un cableado insuficiente puede causar el fallo del motor (bajo voltaje), desactivación frecuente del protector contra sobrecargas del motor, interferencia de televisión e incluso un incendio. Asegúrese de que el cableado esté dimensionado adecuadamente (Figura 3 y 4), bien aislado y conectado a un circuito separado fuera del edificio en caso de incendio.

TRIFÁSICO

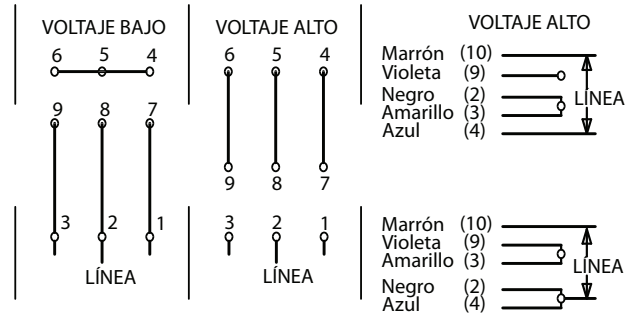


IL1229

Figura 5 - Diagrama de cableado para motores trifásicos Baldor TEFC

TRIFÁSICO

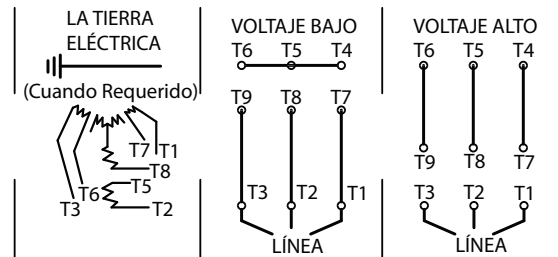
MONOFÁSICO



IL1230

Figura 6 - Diagrama de cableado para motores monofásicos y trifásicos Franklin Electric TEFC

TRIFÁSICO



IL1231

Figura 7 - Diagrama de cableado para motores trifásicos Marathon TEFC

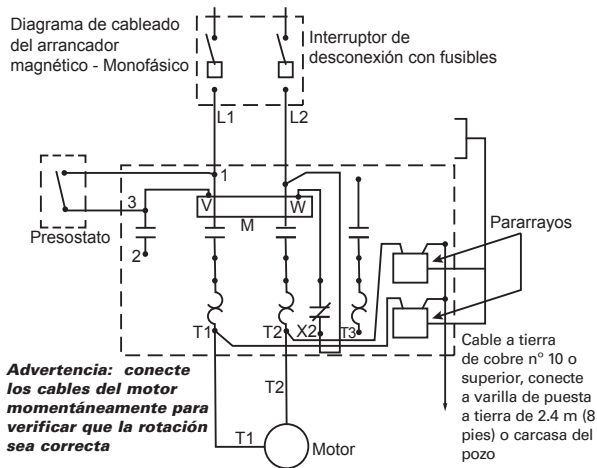


Figura 8

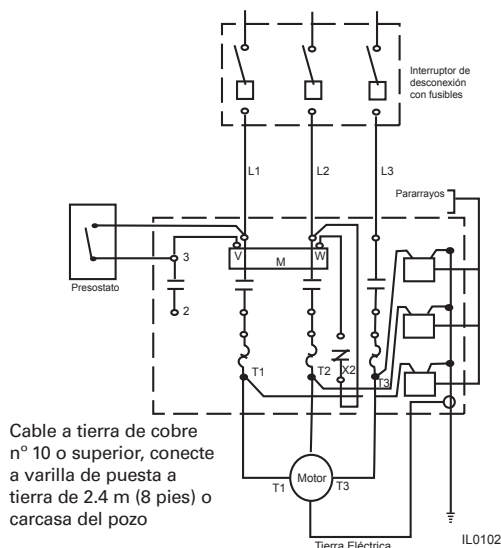


Figura 9

FUNCIONAMIENTO

ANTES DE LA PUESTA EN MARCHA

Antes de poner la bomba en marcha por primera vez, realice las siguientes inspecciones:

- Verifique la rotación: asegúrese de que la bomba funcione en la dirección indicada por la flecha en la carcasa de la bomba, se puede producir un daño grave si la bomba funciona con una rotación incorrecta. La rotación es siempre en sentido contrario al de las manecillas del reloj al mirar a la succión de la bomba. Operar la bomba funciona en rotación inversa puede causar grandes daños.
- Compruebe todas las conexiones del motor y el dispositivo de arranque con el diagrama de cableado. Revise el voltaje, la fase y la frecuencia en la placa de datos del motor con circuito de línea.

TODAS LAS BOMBAS CON MOTORES TRIFÁSICOS DEBEN INSTALARSE CON UN ARRANCADOR MAGNÉTICO QUE PROPORCIONE UNA PROTECCIÓN DE 3 PATAS PARA EL MOTOR. NO USAR EL ARRANCADOR CORRECTO INVALIDARÁ LA GARANTÍA.

CEBADO

1. Antes de arrancar cualquier bomba centrífuga, es absolutamente necesario que tanto la carcasa como la

tubería de succión estén completamente llenas de líquido. Este cebado puede llevarse a cabo por cualquiera de los métodos siguientes.

2. Cuando el nivel de suministro de líquido esté por encima de la línea central de la bomba, se ceba mediante la apertura de las válvulas de succión y descarga. El líquido que entre desplazará el aire y llenará la línea de succión, la carcasa de la bomba y la tubería de descarga hasta el nivel de suministro.
3. Cuando la bomba esté funcionando con extracción de agua y la línea de succión esté equipada con una válvula de zapata, el sistema se llena de líquido al llenarlo a través de la tubería de descarga.

ARRANQUE

1. Siga los siguientes pasos en el orden indicado para arrancar la bomba:

- Cierre la válvula de paso en la tubería de descarga.
 - Abra la válvula de paso en la tubería de succión
 - Encienda la alimentación del motor de la bomba.
2. Cuando la bomba esté funcionando a plena velocidad, abra inmediatamente la válvula de paso de descarga lentamente.
 3. Si la bomba no se ceba adecuadamente o pierde el cebado durante el arranque, esta debería ser apagada y la condición debería ser corregida antes de que se repita el procedimiento.

NOTA: la válvula de paso en la tubería de descarga siempre debería estar cerrada cuando las bombas se ponen en marcha. El exceso de corriente requerida por el motor para arrancar con carga completa a la larga causa problemas al motor. Una bomba centrífuga cebada y funcionando a toda velocidad con la válvula de paso de descarga cerrada por lo general requiere mucha menos energía que cuando está funcionando a su capacidad y carga nominal con la válvula de paso de descarga abierta.

CONTROLES DE FUNCIONAMIENTO

Después de la primera puesta en marcha:

- Verifique la bomba y la tubería para asegurarse de que no haya fugas.
- Verifique y anote las lecturas del manómetro para referencia futura.
- Verifique y anote el voltaje, amperaje por fase.

PARADA DE LA BOMBA

1. Al parar la bomba siempre cierre la válvula de descarga primero.
2. La bomba nunca debería funcionar por cualquier cantidad de tiempo con las válvulas de succión y de descarga cerradas, debido al peligro de la acumulación de presiones y temperaturas.

MANTENIMIENTO

LUBRICACIÓN

La bomba y el motor no requieren lubricación. Los rodamientos de bolas del motor han sido engrasados en la fábrica. En condiciones normales de funcionamiento no deberían necesitar más engrase.

CONGELACIÓN

Drene todo el sistema si hay peligro de congelación. Se proporciona un tapón de vaciado en la parte inferior de la carcasa de la bomba para este fin.

SELLO DEL EJE GIRATORIO

El sello del eje mecánico debería ser sustituido si se observa agua alrededor del eje del motor. Retire la carcasa y el impulsor y, utilizando dos destornilladores para hacer palanca en cada lado, retire el sello del asiento estacionario. Limpie el área del asiento del armazón, instale el nuevo asiento estacionario con la superficie de cerámica hacia fuera y deslice el nuevo elemento giratorio sobre la camisa del eje con la superficie del carbón duro contra el asiento de cerámica. Asegúrese de mantener todas las superficies limpias. La lubricación con agua de las piezas del sello ayudará a la instalación del sello. Vuelva a instalar el impulsor y la carcasa de la bomba.

PRECAUCIÓN: *¡asegúrese de que la fuente de alimentación esté desconectada antes de intentar darle mantenimiento a la unidad! No hacerlo podría redundar en daños personales o descarga eléctrica mortal.*

MOTOR

Mantenga el motor limpio y seco. Es a prueba de goteo cuando se instala de forma horizontal y los devanados están protegidos de la humedad excesiva, pero se deberían evitar condiciones extremas siempre que sea posible. Si el motor falla y no arranca, asegúrese de que la alimentación esté encendida, todos los interruptores o controles eléctricos estén cerrados, los fusibles estén en orden y todas las conexiones eléctricas estén bien apretadas. (El motor debe ser reparado por una estación de reparación autorizada bajo los términos de la garantía).

FALTA DE BOMBEO

Si el motor funciona, pero no bombea agua, asegúrese de que la bomba esté cebada, que no haya fugas de aire en la tubería de succión, que todas las válvulas de paso estén abiertas y todas las válvulas de retención estén funcionando.

CARGA NETA POSITIVA DE SUCCIÓN (NPSH)

La carga neta positiva de succión combina todos los factores que limitan el lado de succión de una bomba; las pérdidas internas de la bomba, la extracción estática de agua, las pérdidas por fricción, presión del vapor y condiciones atmosféricas. Es importante diferenciar entre CARGA NETA POSITIVA DE SUCCIÓN REQUERIDA y CARGA NETA POSITIVA DE SUCCIÓN DISPONIBLE.

CARGA NETA POSITIVA DE SUCCIÓN REQUERIDA

La CARGA NETA POSITIVA DE SUCCIÓN REQUERIDA es un factor diseñado en una bomba y es mensurable en el laboratorio de pruebas por el fabricante. Las instalaciones de pruebas pueden determinar las pérdidas de presión barométrica, en la tubería de succión y en la extracción estática.

CARGA NETA POSITIVA DE SUCCIÓN DISPONIBLE

1. El término para proporcionar suficiente presión en la succión, en el ojo del impulsor, para evitar el "punto de ebullición" se conoce como CARGA NETA POSITIVA DE SUCCIÓN DISPONIBLE. Es una función del sistema de bombeo y consiste en la presión sobre el líquido en su fuente, la elevación del líquido con respecto a la línea central del impulsor, las pérdidas de presión de vapor y de la tubería de succión del líquido.

PROPIEDADES DEL AGUA			
Temperatura °C (°F)	Presión de vapor absoluta		Gravedad específica
	KPA (PSI)	Agua m (pies)	
16 (60)	2 (0.26)	0.2 (0.59)	0.999
29 (85)	4 (0.60)	0.4 (1.4)	0.996
38 (100)	7 (0.95)	0.7 (2.2)	0.993
49 (120)	12 (1.69)	1.2 (3.9)	0.989
54 (130)	15 (2.22)	1.5 (5.0)	0.986
60 (140)	20 (2.89)	2.1 (6.8)	0.983
66 (150)	26 (3.72)	2.7 (8.8)	0.981
71 (160)	33 (4.74)	3.4 (11.2)	0.977
77 (170)	41 (5.99)	97906 (14.2)	0.974
82 (180)	52 (7.51)	5.4 (17.8)	0.970
85 (185)	58 (8.38)	6.1 (20.0)	0.969
88 (190)	64 (9.34)	6.8 (22.3)	0.966
91 (195)	72 (10.38)	7.6 (24.9)	0.964
93 (200)	79 (11.53)	8.4 (27.6)	0.963
94 (202)	83 (12.01)	8.8 (28.8)	0.962
96 (204)	86 (12.51)	9.1 (30.0)	0.961
97 (206)	90 (13.03)	9.5 (31.2)	0.960
98 (208)	94 (13.57)	9.9 (32.6)	0.960
99 (210)	97 (14.12)	10.3 (33.9)	0.959
100 (212)	101 (14.70)	10.8 (35.4)	0.958
101 (214)	105 (15.29)	11.3 (37.0)	0.957
102 (216)	110 (15.90)	11.7 (38.4)	0.956
103 (218)	114 (16.54)	12.2 (40.0)	0.956
104 (220)	119 (17.19)	12.7 (41.6)	0.955
106 (222)	123 (17.86)	13.2 (43.3)	0.954
107 (224)	128 (18.56)	13.7 (45.0)	0.953
108 (226)	133 (19.28)	14.3 (46.8)	0.953
109 (228)	138 (20.02)	14.8 (48.6)	0.952
110 (230)	143 (20.78)	15.4 (50.5)	0.951
116 (240)	172 (24.97)	18.6 (61.0)	0.947
121 (250)	206 (29.83)	22.3 (73.2)	0.943
149 (300)	462 (67.00)	51.4 (168.6)	0.918
177 (350)	928 (134.60)	106.4 (349.0)	0.891

Altura m (pies)	Milibares/ Pulgadas barómetro de mercurio	Presión atmosférica		Punto de ebullición °C (°F)
		KPa (PSIA)	Agua m (pies)	
-304.8 (-1000)	1049.8 (31.0)	104800 (15.2)	9.9 (32.5)	101 (213.8)
-152.4 (-500)	1032.8 (30.5)	103431 (15.0)	10.5 (34.6)	101 (212.9)
0.0 (0.0)	1012.5 (29.9)	101353 (14.7)	10.3 (33.9)	100 (212.0)
+152 (+500)	995.6 (29.4)	99285 (14.4)	10.1 (33.3)	100 (211.1)
+304.8 (+1000)	978.7 (28.9)	97906 (14.2)	10.0 (32.8)	99 (210.2)
+457.2 (+1500)	958.3 (28.3)	95837 (13.9)	9.8 (32.1)	99 (209.3)
+609.6 (+2000)	941.4 (27.8)	94458 (13.7)	9.6 (31.5)	98 (208.4)
+762.0 (+2500)	924.5 (27.3)	92390 (13.4)	1049.8 (31.0)	97 (207.4)
+914.4 (+3000)	907.5 (26.8)	91011 (13.2)	9.3 (30.4)	97 (206.5)
+1066.8 (+3500)	890.6 (26.3)	88942 (12.9)	9.1 (29.8)	96 (205.6)
+1219.2 (+4000)	873.7 (25.8)	87563 (12.7)	8.9 (29.2)	96 (204.7)
+1371.6 (+4500)	860.1 (25.4)	85495 (12.4)	8.8 (28.8)	95 (203.8)
+1524.0 (+5000)	843.2 (24.9)	84116 (12.2)	8.6 (28.2)	95 (202.9)
+1676.4 (+5500)	826.3 (24.4)	82737 (12.0)	8.4 (27.6)	94 (201.9)
+1828.8 (+6000)	812.7 (24.0)	81358 (11.8)	8.3 (27.2)	94 (201.0)
+1981.2 (+6500)	795.8 (23.5)	79290 (11.5)	8.1 (26.7)	93 (200.1)
+2133.6 (+7000)	782.2 (23.1)	77911 (11.3)	8.0 (26.2)	93 (199.2)
+2286.0 (+7500)	768.7 (22.7)	76532 (11.1)	7.8 (25.7)	92 (198.3)
+2438.4 (+8000)	751.8 (22.2)	75153 (10.9)	7.1 (25.2)	92 (197.4)
+2590.8 (+8500)	738.2 (21.8)	73774 (10.7)	7.5 (24.7)	76 (169.5)
+2743.2 (+9000)	724.7 (21.4)	72395 (10.5)	7.4 (24.3)	74 (165.5)
+2895.6 (+9500)	711.1 (21.0)	71016 (10.3)	7.3 (23.8)	90 (194.6)
+3048.0 (+10000)	697.6 (20.6)	68637 (10.1)	7.1 (23.4)	90 (193.7)
+4572.1 (+15000)	572.3 (16.9)	57226 (8.3)	5.9 (19.2)	84 (184.0)

2. Si la carga neta positiva de succión disponible no es igual a, o mayor que la requerida por la bomba, esta debe ser aumentada. Esto se hace generalmente mediante el aumento de la carga estática, Hz.

FÓRMULAS DE CARGA NETA POSITIVA DE SUCCIÓN INSTALACIÓN PROPUESTA

1. Para calcular la carga neta positiva de succión disponible en una aplicación propuesta, se recomienda la siguiente fórmula:

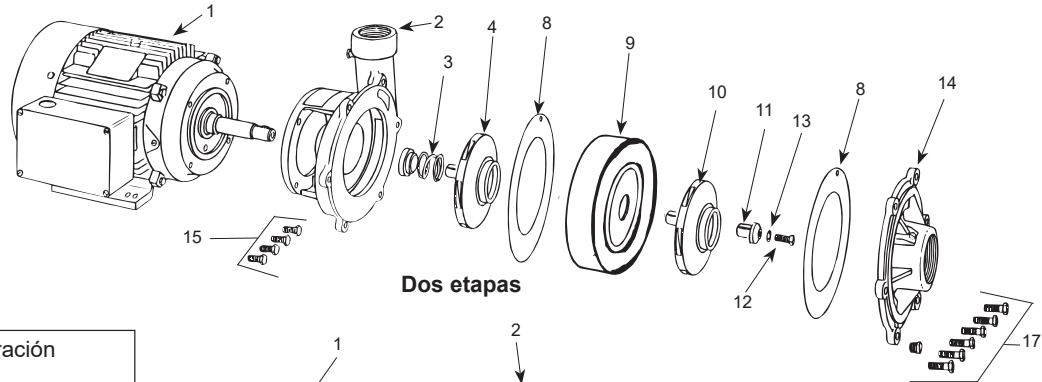
$$H_{sv} = H_p \pm H_z - H_f - H_{vp}$$

2. H_{sv} -NPSH disponible expresada en pies de líquido

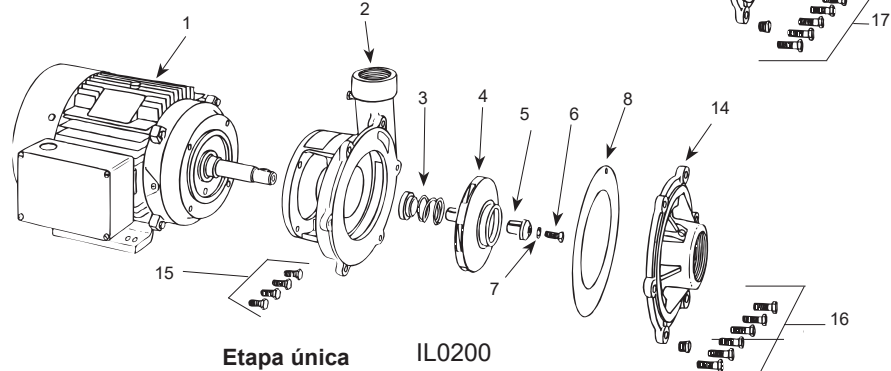
3. H_p -Presión absoluta en la superficie del líquido, donde los tanques de la bomba succionan, expresada en pies. Esta podría ser la presión atmosférica o la presión del recipiente (tanque presurizado).
4. H_z -Elevación estática del líquido por encima o por debajo de la línea central del impulsor, expresada en pies.
5. H_f -Fricción y pérdida de carga de entrada en la tubería de succión, expresada en pies.
6. H_{vp} -Presión de vapor absoluta del líquido a la temperatura de bombeo, expresado en pies de líquido.

Tabla de solución de problemas		
Síntoma	Posible(s) causa(s)	Acción correctiva
Síntoma Posible(s) causa(s) Acción correctiva	<ol style="list-style-type: none"> 1. Rotación incorrecta 2. Presión de entrada o carga de succión insuficientes (carga neta positiva de succión requerida) 3. Carga total demasiado alta 4. Fuga en línea de succión 5. Impulsor obstruido o dañado 6. Tubería del tamaño equivocado 7. Junta de la carcasa con filtración 8. Válvulas de línea de succión o descarga cerradas 9. Sello mecánico con filtración 	<ol style="list-style-type: none"> 1. Consultar el diagrama de cableado 2. Incrementar la presión de entrada agregando más líquido a la fuente de líquido. (Ver las especificaciones de la carga neta positiva de succión requerida) 3. Disminuir carga de descarga 4. Reparar o reemplazar 5. Limpiar o reemplazar 6. Hacer los ajustes necesarios 7. Reemplazar junta 8. Abrir 9. Reemplazar
Pérdida de succión	<ol style="list-style-type: none"> 1. Presión de entrada o carga de succión insuficientes (carga neta positiva de succión requerida) 2. Filtro obstruido 	<ol style="list-style-type: none"> 1. Incrementar la presión de entrada agregando más líquido a la fuente de líquido. (Ver las especificaciones de la carga neta positiva de succión requerida) 2. Limpiar o reemplazar
La bomba vibra y/o hace demasiado ruido	<ol style="list-style-type: none"> 1. La placa de soporte o la base no son lo suficientemente rígidas 2. Materiales extraños en la bomba 3. Impulsor dañado 4. Cavitación presente 	<ol style="list-style-type: none"> 1. Reforzar 2. Limpiar 3. Reemplazar 4. Verificar que la línea de succión sea del tamaño correcto y asegurarse de que la válvula está abierta. Retirar los bucles en exceso en la línea de succión. (Ver las especificaciones de la carga neta positiva de succión requerida)
La bomba tiene una filtración en el eje	<ol style="list-style-type: none"> 1. Sello mecánico desgastado o dañado 2. Corrosión debido al tipo de líquido siendo bombeado 	<ol style="list-style-type: none"> 1. Reemplazar 2. Suspender el bombeo del líquido y consultar con fábrica
La bomba no arranca o no trabaja	<ol style="list-style-type: none"> 1. Cableado inadecuado 2. Fusible fundido o disyuntor abierto 3. Cables flojos o rotos 4. Impulsor obstruido 5. Motor en cortocircuito 	<ol style="list-style-type: none"> 1. Consultar el diagrama de cableado 2. Reemplazar el fusible o cerrar el disyuntor 3. Apretar las conexiones y reemplazar los cables rotos 4. Limpiar 5. Reemplazar
Problemas del motor	<ol style="list-style-type: none"> 1. Varios 2. Motor sobrecargado. Demasiada entrega de agua 3. Líquidos más pesados y viscosos que el agua 4. Sello que se pega 5. Rotor que se pega 6. Voltaje y frecuencia más bajos que el valor nominal 7. Defectos del motor 	<ol style="list-style-type: none"> 1. Comunicarse con un electricista calificado 2. Restringir la salida cerrando la válvula de la línea de descarga 3. Consultar con fábrica 4. Reemplazar 5. Reparar o reemplazar 6. Volver a conectar al voltaje y frecuencia nominales 7. Reparar o reemplazar
Poros en la fundición. Se derrama líquido alrededor del área del sello pero no es el sello	<ol style="list-style-type: none"> 1. Cavitación causada por presión de entrada o succión de carga insuficiente (carga neta positiva de succión requerida) 	<ol style="list-style-type: none"> 1. Aumentar la presión de entrada agregando un nivel más alto o líquido a la fuente o aumentando la presión de entrada. (Ver las especificaciones de la carga neta positiva de succión requerida)

PIEZAS DE REPUESTO PARA BOMBAS CENTRÍFUGAS Serie "C22000" (Para precios, consulte la Lista de precios de las piezas de repuesto)



021434 Juego de reparación El juego incluye:		
Cant.	Nº de componente	Nº de pieza y descripción
1	3	136559 Conjunto de sello
1	•	136576 Junta tórica, tornillo de cabeza
1	•	136572 Junta tórica, impulsor
1	•	136569 Junta tórica, impulsor
2	8	124638 Junta



IL0200
El producto posiblemente no sea igual al que se muestra.

COMPONENTE	DESCRIPCIÓN	POTENCIA		ETAPA			
		3	5	3	5	7-1/2	
		1	1	2	2	2	
		MONOFÁSICO	C22131	C22151	C22231	C22251	—
		TRIFÁSICO	C22133	C22153	C22233	C22253	C22273
		NÚMERO DE PIEZA					
1	Motor — 1-F	134962	134963	134962	134963	—	
1	Motor — 3-F	134965	134966	134965	134966	134967	
2	Anillo de montaje	136556	136556	136556	136556	136556	
3	Conjunto de sello	136559	136559	136559	136559	136559	
	• Llave de 0.5 x 2.1 cm (3/16 x 27/32 pulg.)	136560	136560	—	—	—	
	• Llave de 0.5 x 5.1 cm (3/16 x 2-1/32 pulg.)	—	—	134977	134977	134977	
4	Impulsor	136561	136562	136563	136565	136567	
	• Junta tórica, impulsor	136569	136569	136569	136569	136569	
5	Retenedor, impulsor	N/A	N/A	—	—	—	
6	Tornillo de cabeza, 2.5 cm (1 pulg.) de largo	136573	136573	—	—	—	
	• Junta tórica, tornillo de cabeza	136576	136576	—	—	—	
7	Arandela de 3/8 pulg. de acero inoxidable	120649	120649	—	—	—	
8	Junta	124638 (1)	124638 (1)	124638 (2)	124638 (2)	124638 (2)	
9	Etapa intermedia con anillo separador	—	—	136578	136578	136578	
	• Anillo separador - grande	—	—	125176	125176	125176	
	• Anillo separador - pequeño	—	—	136577	136577	136577	
10	Impulsor (frontal)	—	—	136564	136566	136568	
11	Retenedor, impulsor	—	—	136571	136571	136571	
	• Junta tórica, impulsor	—	—	136572	136572	136572	
12	Tornillos de cabeza, 5.7 cm (2-1/4 pulg.) de largo	—	—	136575	136575	136575	
	• Junta tórica, tornillo de cabeza	—	—	136576	136576	136576	
13	Arandela de 3/8 pulg. de acero inoxidable	—	—	120649	120649	120649	
14	Conjunto de brida de succión con anillo separador	023089	023089	023089	023089	023089	
	• Anillo separador	125176	125176	125176	125176	125176	
	• Tapones para tubos DN8 (1/4 pulg. NPT)	* (4)	* (4)	* (5)	* (5)	* (5)	
15	Tornillos de cabeza hexagonal de 1.0 x 2.5 cm (3/8 x 1 pulg.)	* (4)	* (4)	* (4)	* (4)	* (4)	
16	Tornillos de cabeza hexagonal de 1.0 x 3.2 cm (3/8 x 1-1/4 pulg.)	* (6)	* (6)	—	—	—	
17	Tornillos de cabeza hexagonal de 1.0 x 8.3 cm (3/8 x 3-1/4 pulg.)	—	—	* (6)	* (6)	* (6)	

(*) Componente estándar de tornillería
(•) No se muestra
N/A No disponible